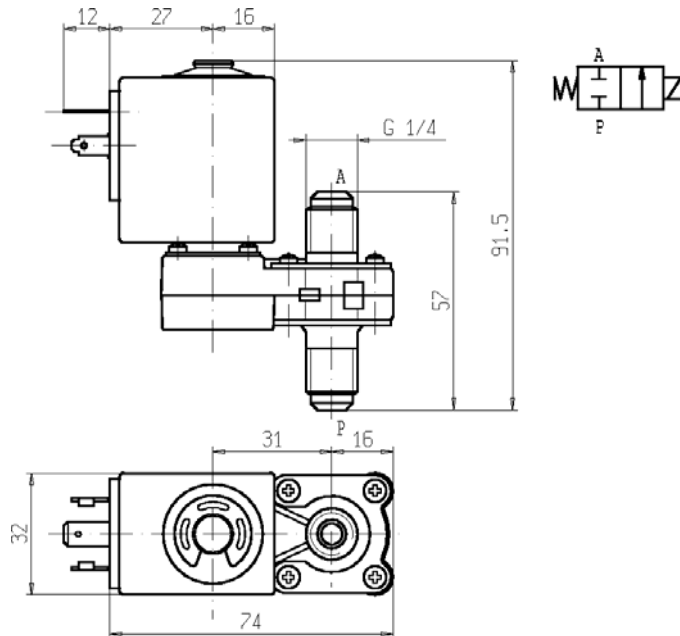




SOLENOID VALVE - DRY
2/2 - NC (Normally closed)
Direct acting - Total isolation
G 1/4

D144A13



► **GENERAL FEATURES**

Direct acting, total isolation solenoid valve: the actuator is totally isolated from the medium so that the wetted parts are just the body and the lever-seal.

Possibility of disassembling for inspection.

Core duly coated by PTFE (polytetrafluoroethylene) based self lubricating material.

Suitable to shut off liquid and gaseous fluids (verify the compatibility of fluid with materials in contact).

► **TECHNICAL FEATURES**

| | |
|--|--|
| <i>Maximum allowable pressure (PS)</i> | 12 bar |
| <i>Opening time</i> | ~ 25ms |
| <i>Closing time</i> | ~ 25ms |
| <i>Fluid temperature</i> | -10°C +100°C |
| <i>Max viscosity</i> | 5°E (~37 cStokes o mm ² /s) |

► **MATERIALS IN CONTACT WITH FLUID**

| | |
|----------------|----------------------|
| <i>Body</i> | PEI (Polyetherimide) |
| <i>Sealing</i> | SBR |

► **COIL**

| | |
|-------------------------------|--|
| <i>Continuous duty</i> | ED 100% |
| <i>Encapsulation material</i> | PET (polyethylene terephthalate) fiberglass reinforced |
| <i>Coil insulation class</i> | F(140°C) |
| <i>Ambient temperature</i> | -10 °C +60 °C |
| <i>Electric connenctions</i> | DIN 46340 - 3 poles connector (DIN 43650) |
| <i>Protection degree</i> | IP 65 (EN 60529) with plug connector |
| <i>Voltagess</i> | <i>DC</i> 12-24V (+10% -5%) |
| | <i>AC</i> 24V/50Hz - 110V/50Hz (120V/60Hz) - 230V/50Hz (+10% -15%) |
| | (Other voltages and frequencies on request) |

NON STANDARD

| Port size ISO 228 | Orifice size (mm) | Differential pressure (bar) | | | | | | Kv (m ³ /h) | Series and type | | Power absorption | | | Sealings | Notes | Weight (kg) |
|----------------------|-------------------------|-----------------------------|--------|----|---------|----|-------|---------------------------|-----------------|---------|------------------|-----------|-----|----------|-------|----------------|
| | | Δp min | Δp max | | | | Valve | | Coil | AC (VA) | | DC (W) | | | | |
| | | | Gases | | Liquids | | | | | Inrush | Holding | | | | | |
| | | | AC | DC | AC | DC | | | | | | | | | | |
| G 1/4 | 5,5 | 0 | 4,5 | 1 | 4,5 | 1 | 0,55 | D144A13 | Z530A | 23 | 14 | 9 | SBR | - | 0,255 | |

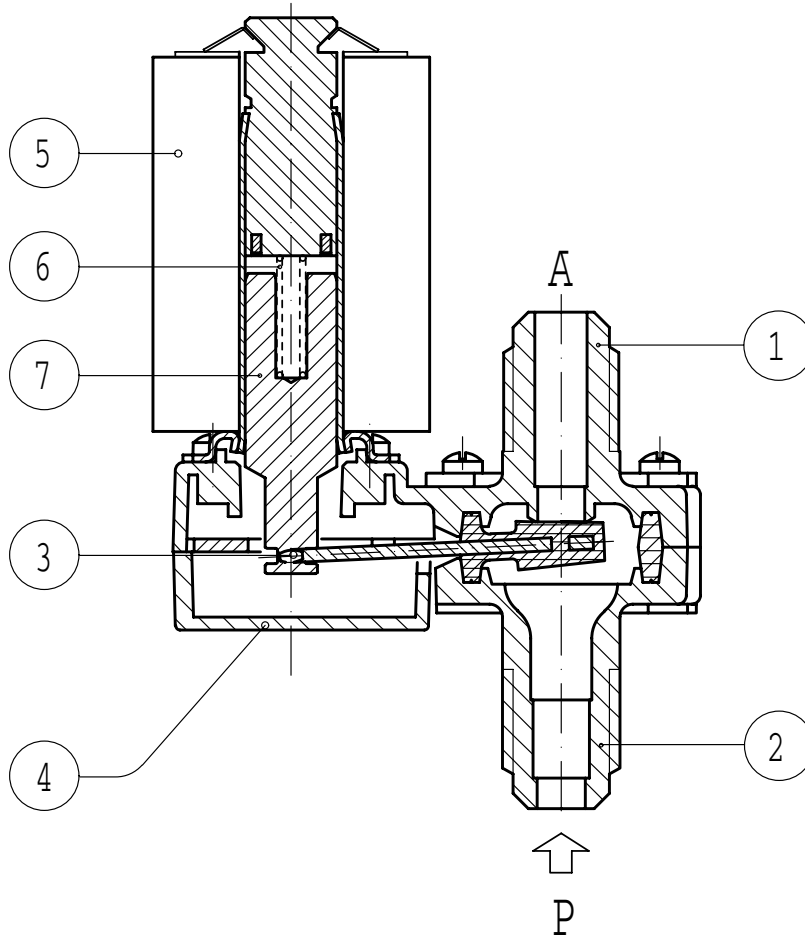
► **NOTES**

- Sealings : SBR = Elastomer styrol butadiene

D144A13

NON STANDARD

► SPARE PARTS



Kit description

Body kit

Kit P.N.

G2846802

Consisting of:

Upper body pos.1
Lower body pos.2

Core kit

G2999201

Core return spring pos.6
Core pos.7

Lever seal

2977701R

Lever seal pos.3

Cover

3119801R

Cover pos.4

Coil

Z530A

Coil pos. 5

► INSTALLATION

- In case of disassembling for usual maintenance, the fixing screws have to be tightened at 0,6 Nm max torque.
- Solenoid valve can be mounted in any position.
- Maximum driving torque of the pipe fittings for thread connections = 10Nm.

THE VALIDITY OF REPORTED DATA IS REFERRED TO THE DATE OF ISSUE. POSSIBLE UPDATING ARE AVAILABLE ON REQUEST.