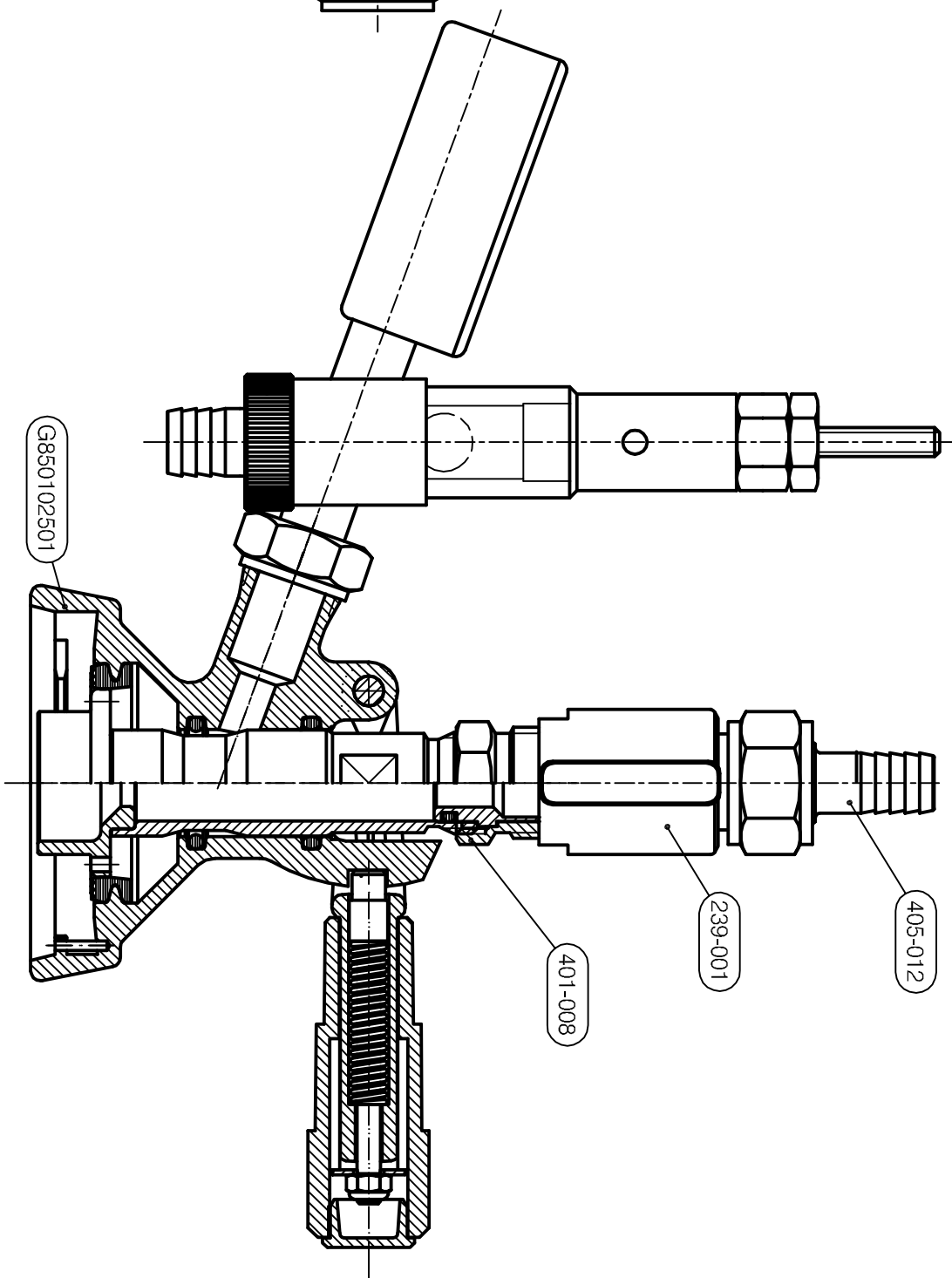
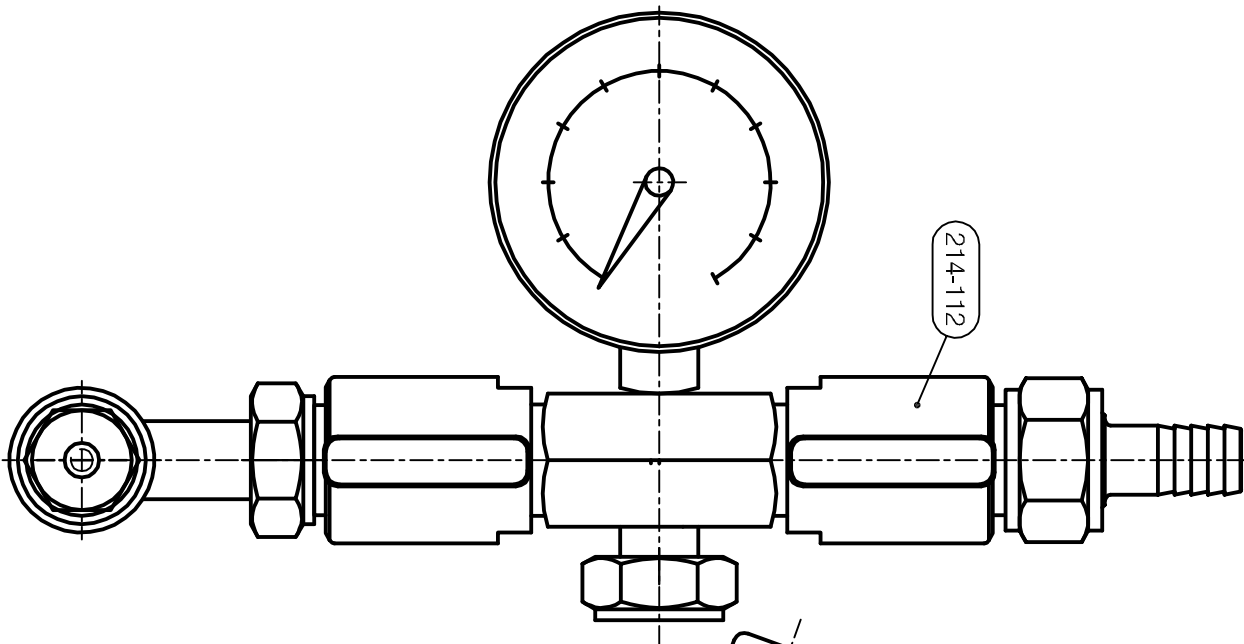




0-4BAR



KLICHOEN./LASERPROG.	PLOT DATE	DATE	NAME	SCALE
		9/10/2001	JMI	1:1



MANUEL FILLINGHEAD  
G-SYSTEM

214-002 C2

DESCRIPTION  
DRW.NO. - REV.

THIS DRAWING IS THE PROPERTY OF MICRO MATIC A/S. AND MUST NOT BE USED, DISCLOSED OR REPRODUCED WITHOUT PRIOR WRITTEN AUTHORITY.  
FILE NAME W:\MDOCArchives\PROD\KEGGY214-002.dwg