

**Specifications:**

**Model:** Skagen I2

**Material:** Stainless steel

**Surface:** Brushed

**Branding:** LED/QC

**Fixation:** Through bar (1.5" BSP)

**Tap:** T-tap

**Handle:** Black alu, 3/8" big

**Shank thread:** 1/2"

**Beer line:** 3/16" - Valpar

**Cooling line:** 1/2" - Valpar

**Note:**

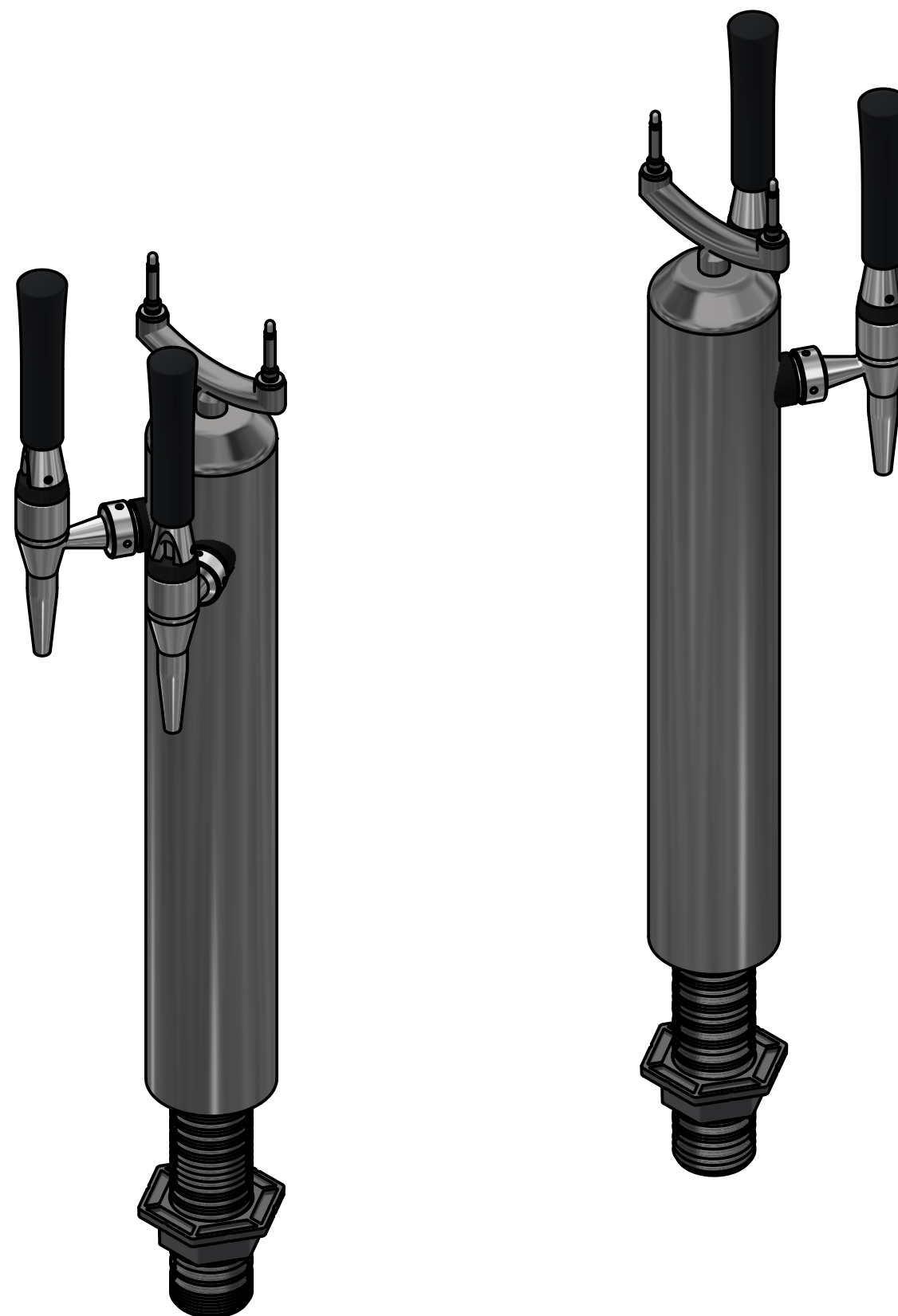
**19-036 - Skagen I2 - Brushed, T-tap - LED/QC**

Material:

29/09/2022

c:\temp\2f894872-03bf-47a8-b106-093ec96ec7ab\WF1110597.idw

THIS DRAWING IS THE PROPERTY OF MICRO MATIC A/S AND MUST NOT BE USED, DISCLOSED OR REPRODUCED WITHOUT PRIOR WRITTEN AUTHORITY.



Material:

29/09/2022 c:\temp\2f894872-03bf-47a8-b106-093ec96ec7ab\WF11110597.idw

THIS DRAWING IS THE PROPERTY OF MICRO MATIC A/S AND MUST NOT BE USED, DISCLOSED OR REPRODUCED WITHOUT PRIOR WRITTEN AUTHORITY.